

7. Parts catalog

How to use this parts catalog

The following legend is used in the parts catalog:

Asm-index	Part number	Units/mach	Units/FRU	Description
-----------	-------------	------------	-----------	-------------

- **Asm-index:** Identifies the assembly and the item in the diagram. For example, 3-1 indicates Assembly 3 and item number 1 in the table.
- **Part number:** Identifies the unique number that identifies this FRU.
- **Units/mach:** Refers to the number of units actually used in the base machine or product.
- **Units/option:** Refers to the number of units in a particular option. It does not include the rest of the base machine.
- **Units/FRU:** Refers to the number of units packaged together and identified by the part number.
- **NS:** (Not shown) in the Asm-Index column indicates that the part is procurable but is not pictured in the illustration.
- Model information used in the parts catalog:

Abbreviation used	Machine type/model	Model name	Description
576	7526-576	Lexmark X746de	MFP with e-task and duplex
776	7526-776	Lexmark X748de	MFP with e-task, duplex, and hard drive
776	7526-776	Lexmark X748dte	MFP with e-task, duplex, hard drive, and 550 sheet tray

Previous

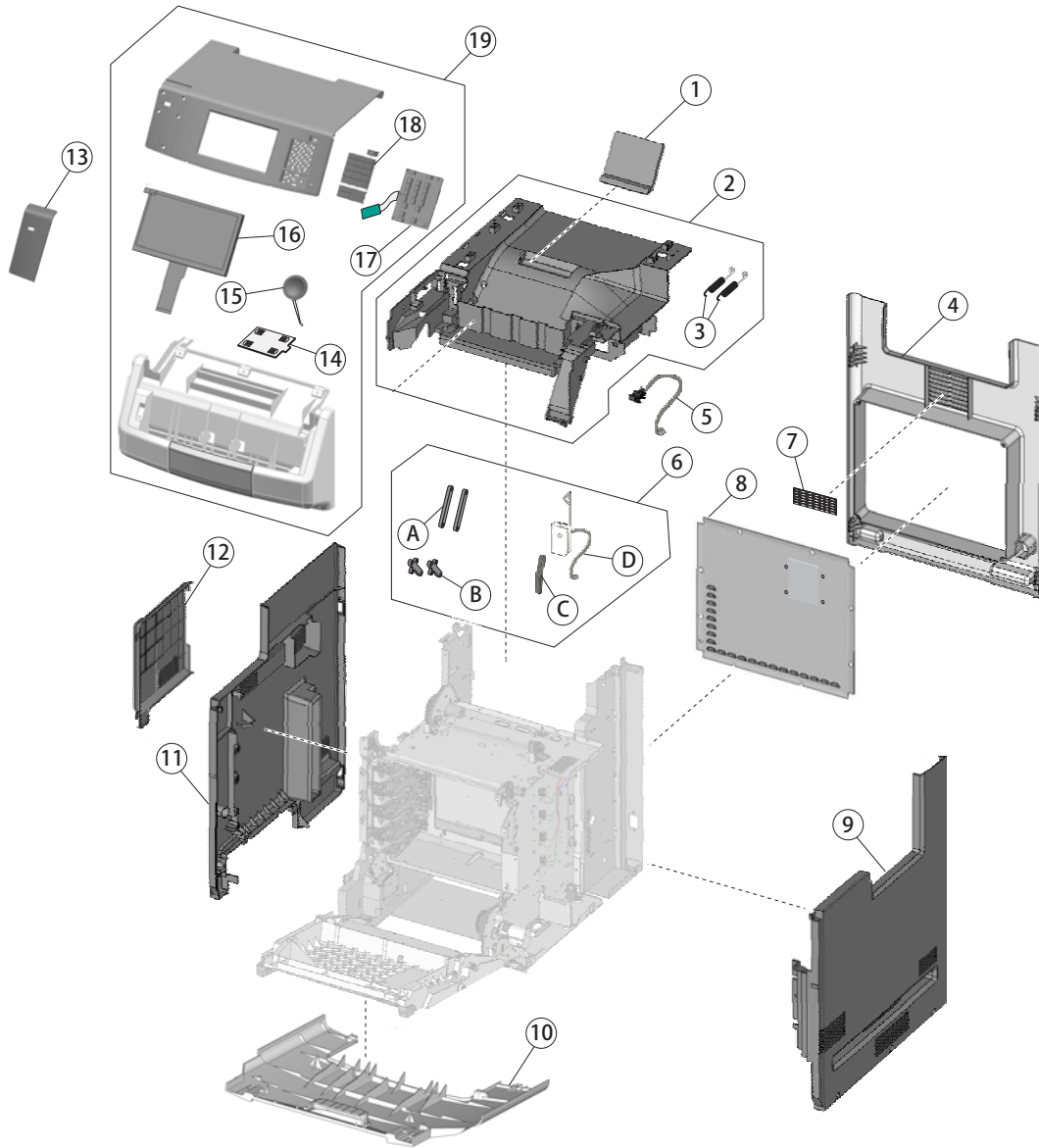


Next



Go Back

Assembly 1: Covers—printer



Previous



Next



Go Back

Assembly 1: Covers—Printer

Index	P/N	Units/ mach	Units/ FRU	Description
1—1	40X5164	1	1	Output bin extension cover
2	40X5175	1	1	Top cover assembly, including top access cover springs
3	40X5276	1	2	Top access cover springs
4	40X5174	1	1	Rear cover
5	40X5121	1	1	Bin full sensor with cable
6	40X5180	1	1	Top access cover parts package, including: A—Link (top access cover) (2) B—Link (top cover) (2) C—Top access cover links (slider cam) (1) D—Bin full sensor with cable and flag (1)
7	40X5287	1	1	Cooling fan filter
8	40X8319	1	1	Rear frame cover
9	40X5172	1	1	Right cover
10	40X5184	1	1	Front access door cover assembly
11	40X5173	1	1	Left cover
12	40X5221	1	1	Left door cover
13	40X7960	1	1	Operator panel bezel, X746de
13	40X7961	1	1	Operator panel bezel, X748de
14	40X7967	1	1	LCD bracket assembly
15	40X7703	1	1	Speaker
16	40X7861	1	1	7 inch LCD touch screen
17	40X7955	1	1	UICC and interface card
18	40X7956	1	1	Parts pack (operator panel buttons)
19	40X7662	1	1	Top access cover assembly

Previous



Next



Go Back

Assembly 2: Front

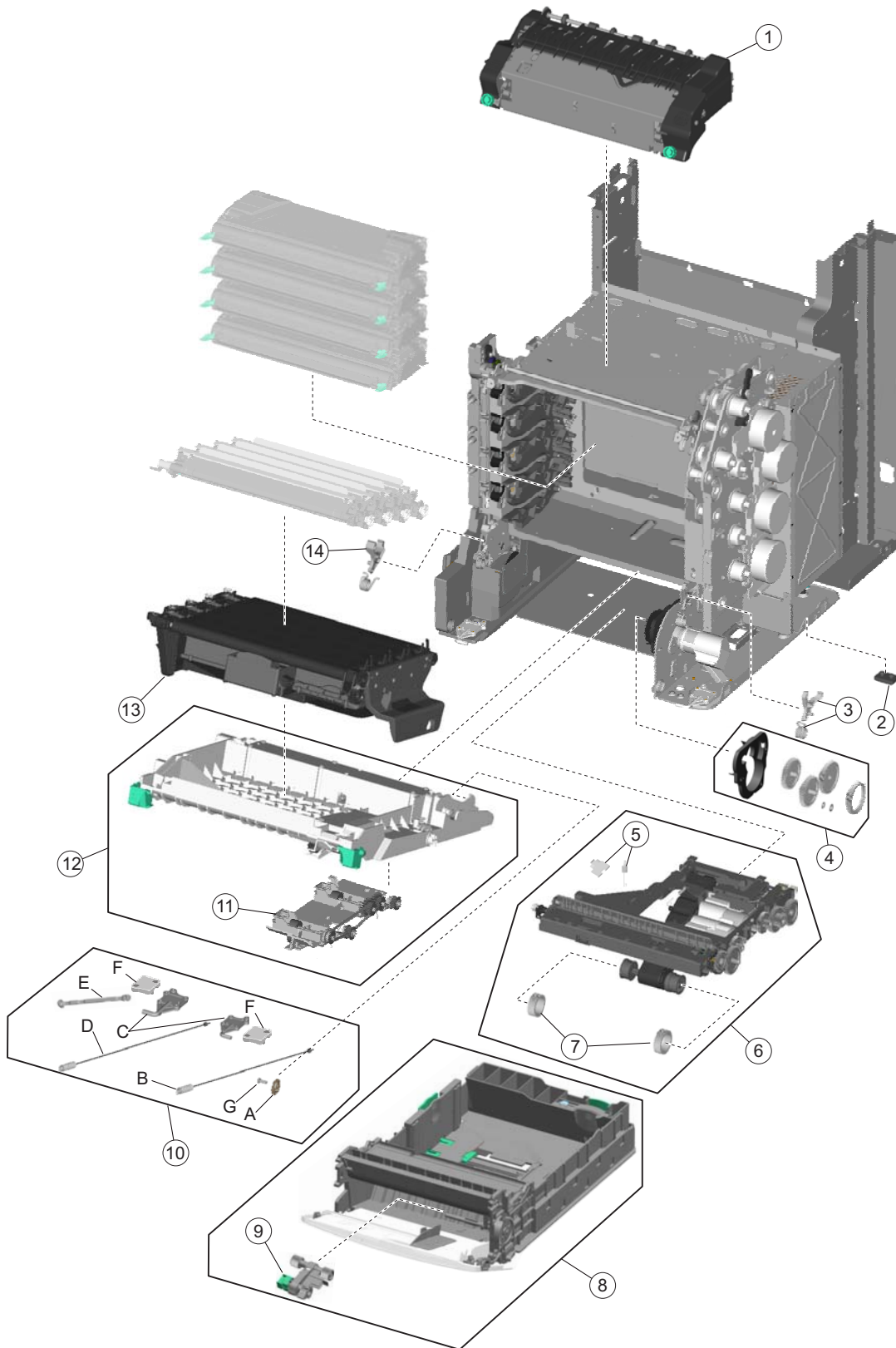
Previous



Next



Go Back



Assembly 2: Front

Index	P/N	Units/ mach	Units/ FRU	Description
2—1	40X8110	1	1	Fuser assembly, 115 V
1	40X8111	1	1	Fuser assembly, 230 V
1	40X8112	1	1	Fuser assembly, 100 V
2		6	1	Printer pad, included in screws parts packet (P/N 40X5136)
3	40X1446	1	1	Right bellcrank assembly, with spring
4	40X5132	1	1	Parts packet, MP feeder/duplex drive, including: <ul style="list-style-type: none"> • Retainer release arm • Grease packet (Nyogel 744) • Washer • Duplex engagement gear • MP feeder reduction gear • MP feeder/duplex reduction gear • MP feeder drive cover
5	40X6319	1	1	Cranklift spring and metal clip
6	40X8308	1	1	Paper pick assembly
7	40X5152	2	2	Pick tire
8	40X5999	1	1	Paper tray assembly, 550-sheet
9	40X6496	1	1	MPF pick arm
10	40X5111	1	1	Parts packet, front door, including: <ul style="list-style-type: none"> • A—Front access door cap (1) • B—Right cable assembly (1) • C—Front access cover pivot (1) • D—Left cable assembly (1) • E—Front access door straps (2) • F—Front access door bracket (1) • G—Screw
11	40X5113	1	1	Duplex reference edge assembly
12	40X5995	1	1	Front access door assembly
13	40X8307	1	1	Transfer module
14	40X1447	1	1	Left bellcrank assembly, with spring

Previous



Next



Go Back

Assembly 3: Right

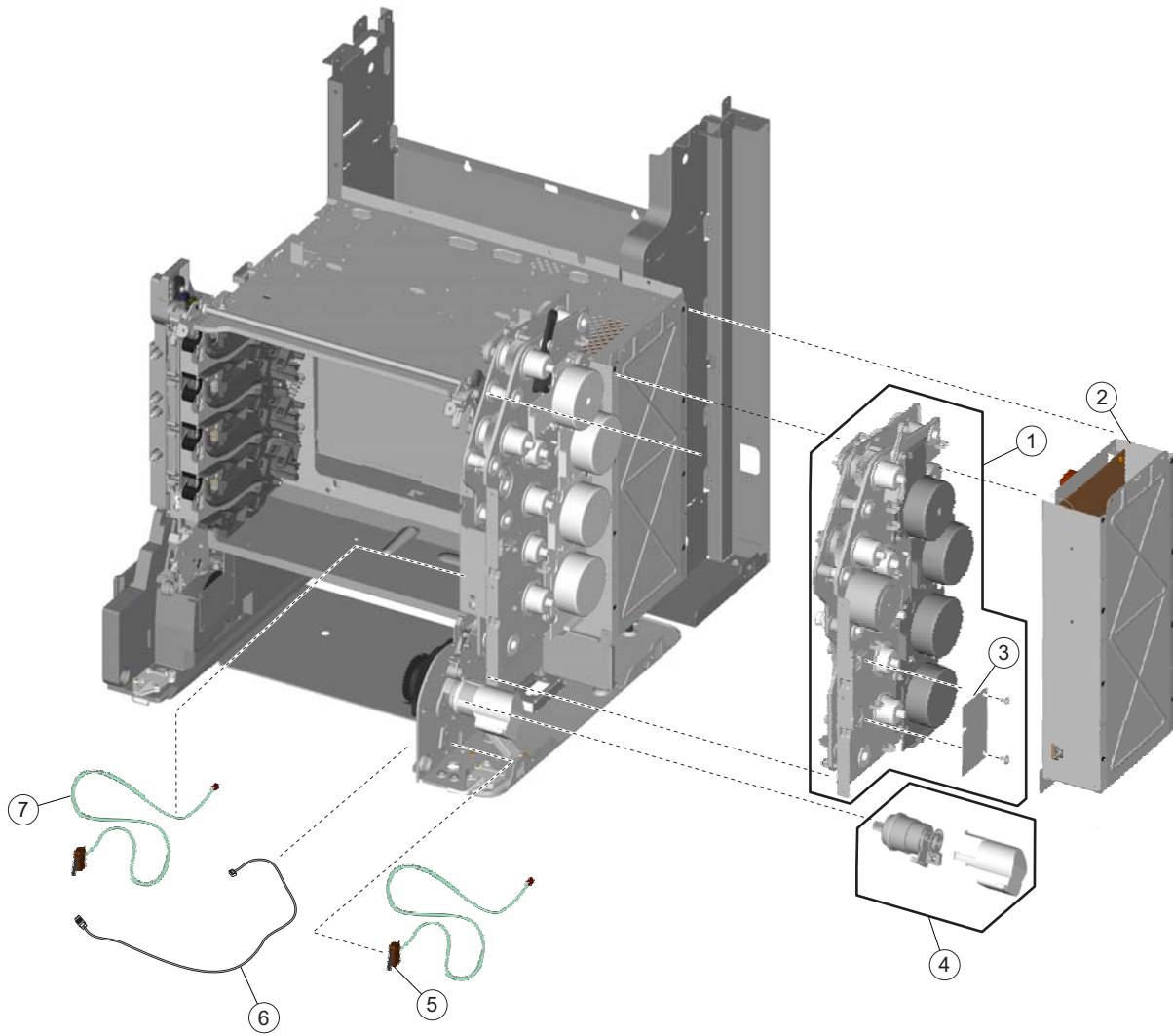
Previous



Next



Go Back



Assembly 3: Right

Index	P/N	Units/ mach	Units/ FRU	Description
3-1	40X5290	1	1	EP drive assembly
2	40X7709	1	1	Low-voltage power supply
3	40X5126	1	1	Motor driver card
4	40X8309	1	1	MP feeder/duplex motor
5	40X5128	1	1	24 V interlock switch
6	40X5998	1	1	MPF paper present sensor with cable
7	40X5127	1	1	5 V interlock switch

Previous

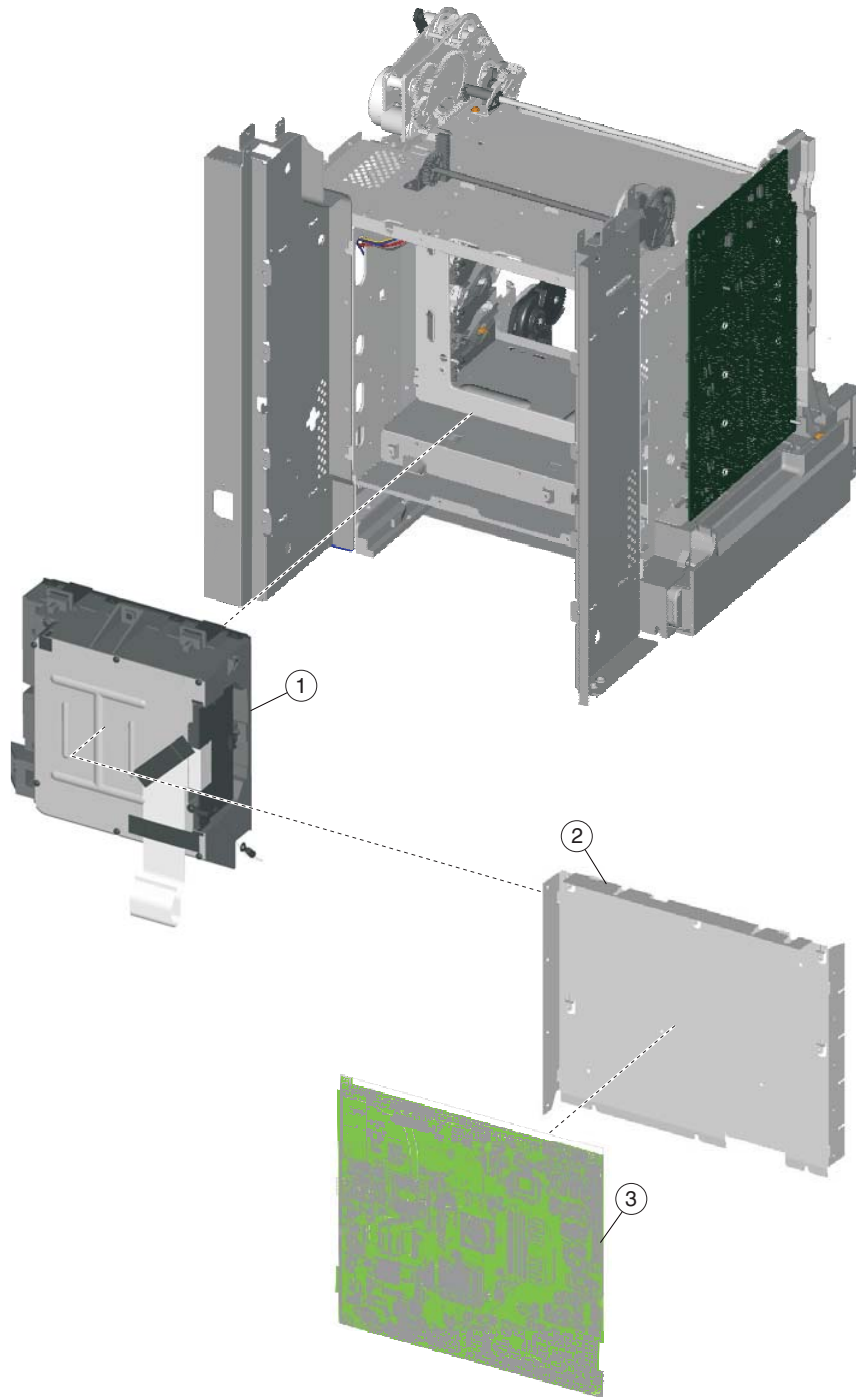


Next



Go Back

Assembly 4: Rear



Previous



Next



Go Back

Assembly 4: Rear

Index	P/N	Units/ mach	Units/ FRU	Description
4—1	40X5123	1	1	Printhead assembly
2	40X5107	1	1	System board support shield
3	40X5997	1	1	System board
NS	40X0269	1	1	Power cord—USA, Canada, Bolivia, Peru
NS	40X0288	1	1	Power cord (8 ft.)—Argentina
NS	40X0301	1	1	Power cord (8 ft.)—Australia, New Zealand
NS	40X3141	1	1	Power cord (8 ft.)—Austria, Belgium, Catalan, Czechoslovakia, Finland, France, Germany, Greece, Hungary, Ireland, Italy, Netherlands, Norway, Paraguay, Poland, Portugal, Russia, Spain, Sweden, Turkey, United Kingdom
NS	40X0271	1	1	Power cord (8 ft.)—England, France, Germany
NS	40X4596	1	1	Power cord (8 ft.)—Brazil
NS	40X0273	1	1	Power cord (8 ft.)—Chile, Uruguay
NS	40X0303	1	1	Power cord (8 ft.)—China
NS	40X1774	1	1	Power cord (8 ft.)—Denmark, Finland, Norway, Sweden
NS	40X0275	1	1	Power cord (8 ft.)—Israel
NS	40X3609	1	1	Power cord (8 ft.)—Japan
NS	40X1792	1	1	Power cord (8 ft.)—Korea
NS	40X1773	1	1	Power cord (8 ft.)—South Africa
NS	40X1772	1	1	Power cord (8 ft.)—Switzerland
NS	40X1791	1	1	Power cord (8 ft.)—Taiwan

Previous



Next



Go Back

Assembly 5: Left

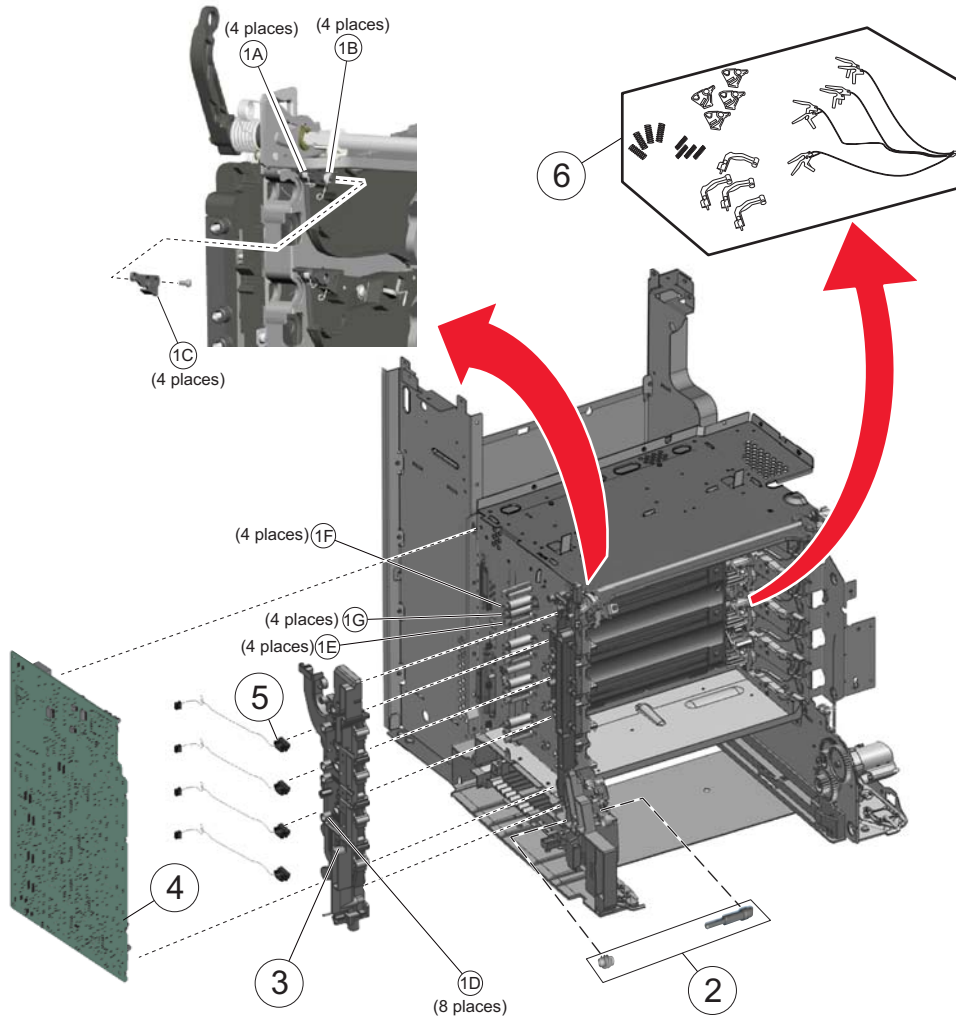
Previous



Next



Go Back



Assembly 5: Left

Index	P/N	Units/ mach	Units/ FRU	Description
5—1	40X5137	1	1	Contact springs kit includes the following: <ul style="list-style-type: none"> • A—Torsion PCD contact spring • B—Torsion CR contact spring • C—Contact spring cap • D—Charge roll contact spring • E—HVPS TAR contact spring • F—HVPS doctor/developer contact spring • G—HVPS Db contact spring • Screw
2	40X7159	1	1	Auger shaft and gear parts pack
3	40X5307	1	1	Waste toner HV contact assembly
4	40X5129	1	1	High-voltage power supply
5	40X1416	4	1	Toner level sensor
6	40X8373	1	1	Toner cartridge contacts

Previous

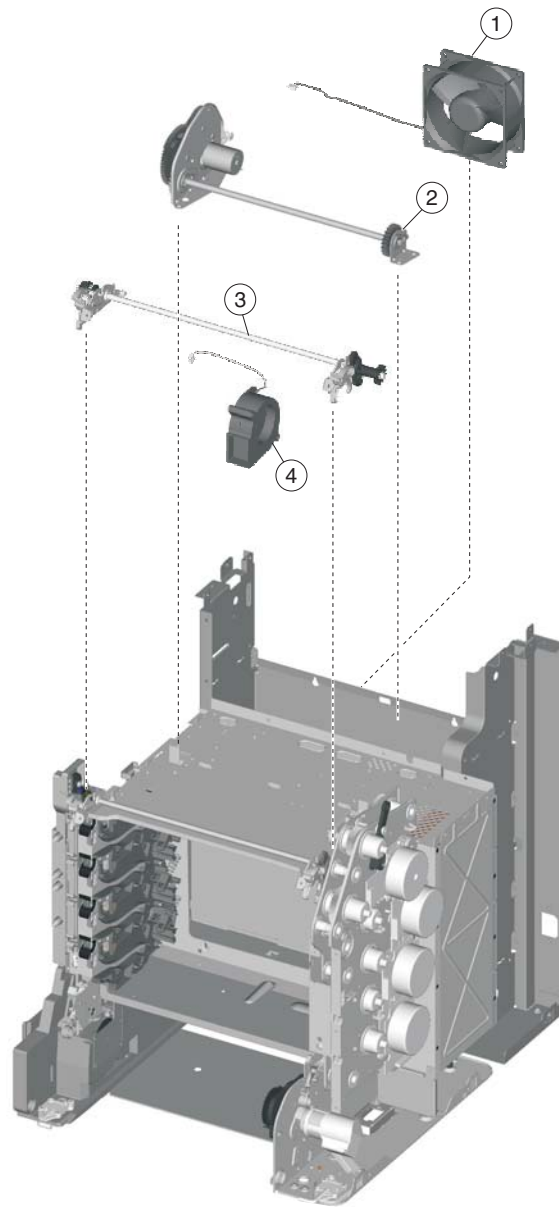


Next



Go Back

Assembly 6: Top



Previous



Next



Go Back

Index	P/N	Units/ mach	Units/ FRU	Description
6—1	40X5109	1	1	Cooling fan
2	40X5122	1	1	Color on demand assembly
3	40X5130	1	1	Top cover camshaft assembly
4	40X5108	1	1	Cartridge cooling fan

Assembly 7: Cable parts packet

Index	P/N	Units/ mach	Units/ FRU	Description
NS	40X7973	1	1	Cables, including <ul style="list-style-type: none"> • Duplex/MPF motor cable • Fuser AC cable • Fuser DC cable • HVPS cable • Transport cable • Fuser and cartridge 1 motor cable • Cartridge 2 and 3 motor cable • USB-A cable • 550 option cable • Transport motor cable • Speaker cable • UICC cable (for single-function) • UICC cable (for multi-function) • Operator panel ground cable (for single-function) • Operator panel ground cable (for multi-function)
NS	40X6351	1	1	Motor drive cable

Previous

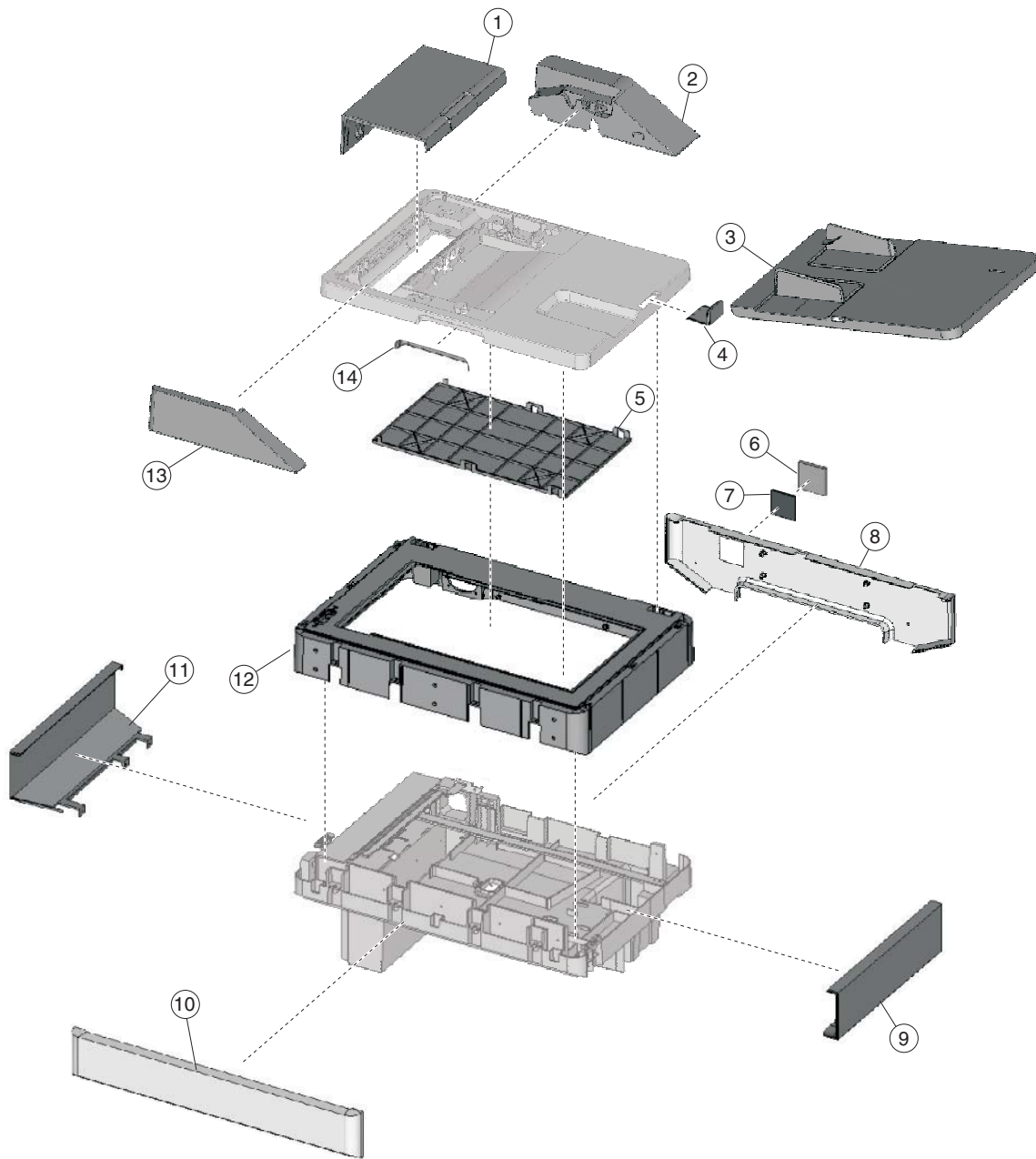


Next



Go Back

Assembly 8: Covers—scanner



Previous



Next



Go Back

Assembly 8: Covers—Scanner

Index	P/N	Units/ mach	Units/ FRU	Description
8—1	40X5196	1	1	ADF front case cover
2	40X5202	1	1	ADF upper motor side cover
3	40X5192	1	1	ADF document input tray
4	40X5193	1	1	ADF paper stop
5	40X5194	1	1	Pressure plate cover
6	40X5198	1	1	Flatbed filter door cover
7	40X5218	1	1	Flatbed air filter
8	40X5207	1	1	Scanner rear cover
9	40X5205	1	1	Scanner right cover
10	40X5206	1	1	Scanner front cover
11	40X5204	1	1	Scanner left cover
12	40X5211	1	1	Flatbed with glass cover
13	40X5203	1	1	ADF upper front side cover
14	40X5201	1	1	ADF lid handle cover

Previous

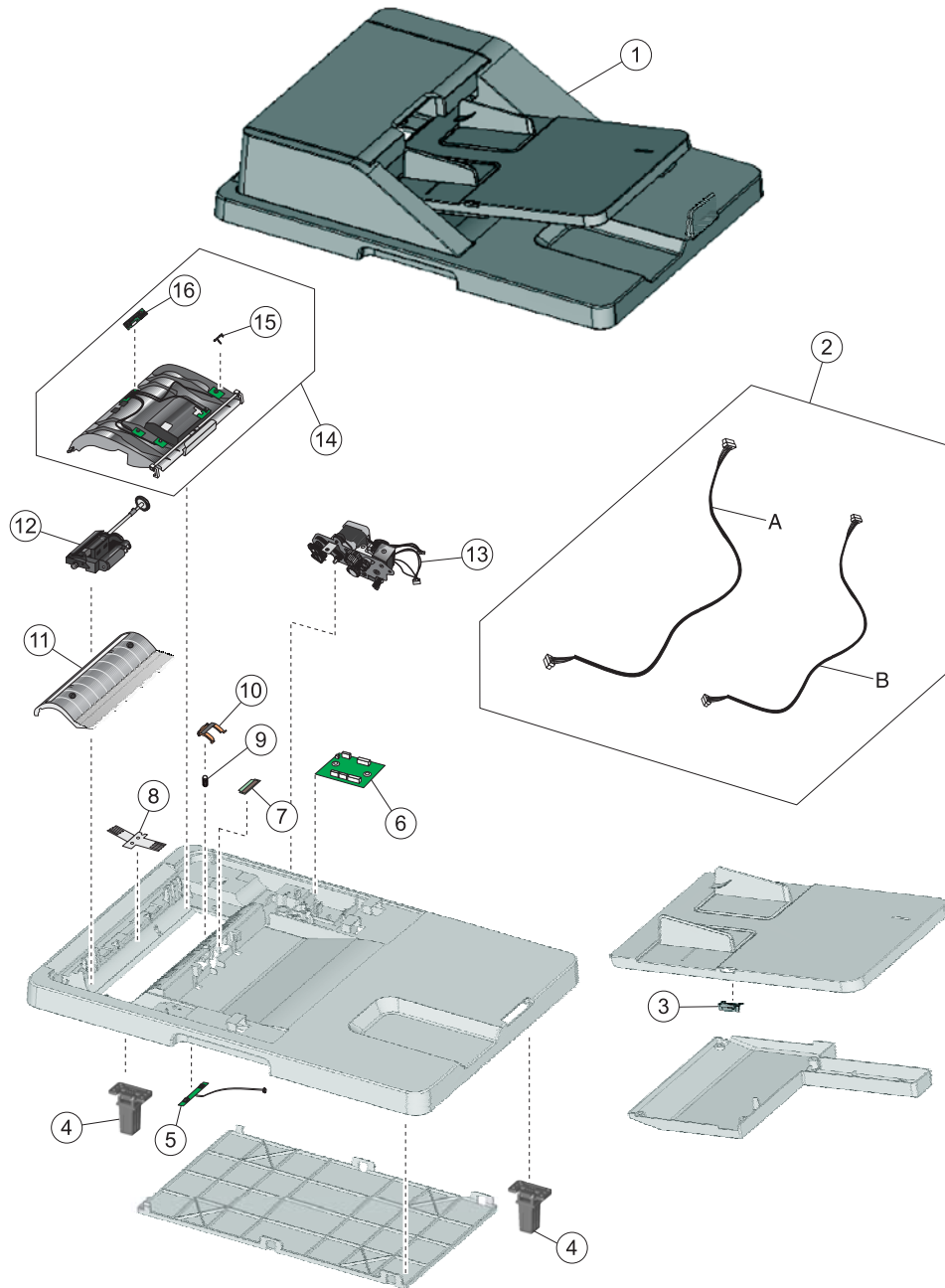


Next



Go Back

Assembly 9: Automatic document feeder (ADF)



Previous



Next



Go Back

Assembly 9: Automatic document feeder (ADF)

Index	P/N	Units/ mach	Units/ FRU	Description
9—1	40X5190			ADF, complete
2		1	1	Parts packet—cables (40X5217) A—ADF input tray cable B—ADF case cable Note: Additional cables listed in assembly 10 (5 total).
3	40X5210	1	1	Paper present LED card
4	40X5209	1	1	ADF hinge (left or right)
5	40X5166	1	1	ADF exit sensor with cable
6	40X5220	1	1	Scanner ICC card
7	40X5189	1	1	ADF pick pad
8	40X5165	1	1	ADF static ground brush
9	40X5163	1	1	Separator pad spring
10	40X5187	1	1	ADF separator pad
11	40X5197	1	1	ADF upper case cover
12	40X5188	1	1	ADF pick roll assembly
13	40X5208	1	1	ADF motor gear train assembly
14	40X5195	1	1	ADF front case assembly
15	40X5191	1	1	ADF cover open flag
16	40X5291	1	1	ADF skew card

Previous

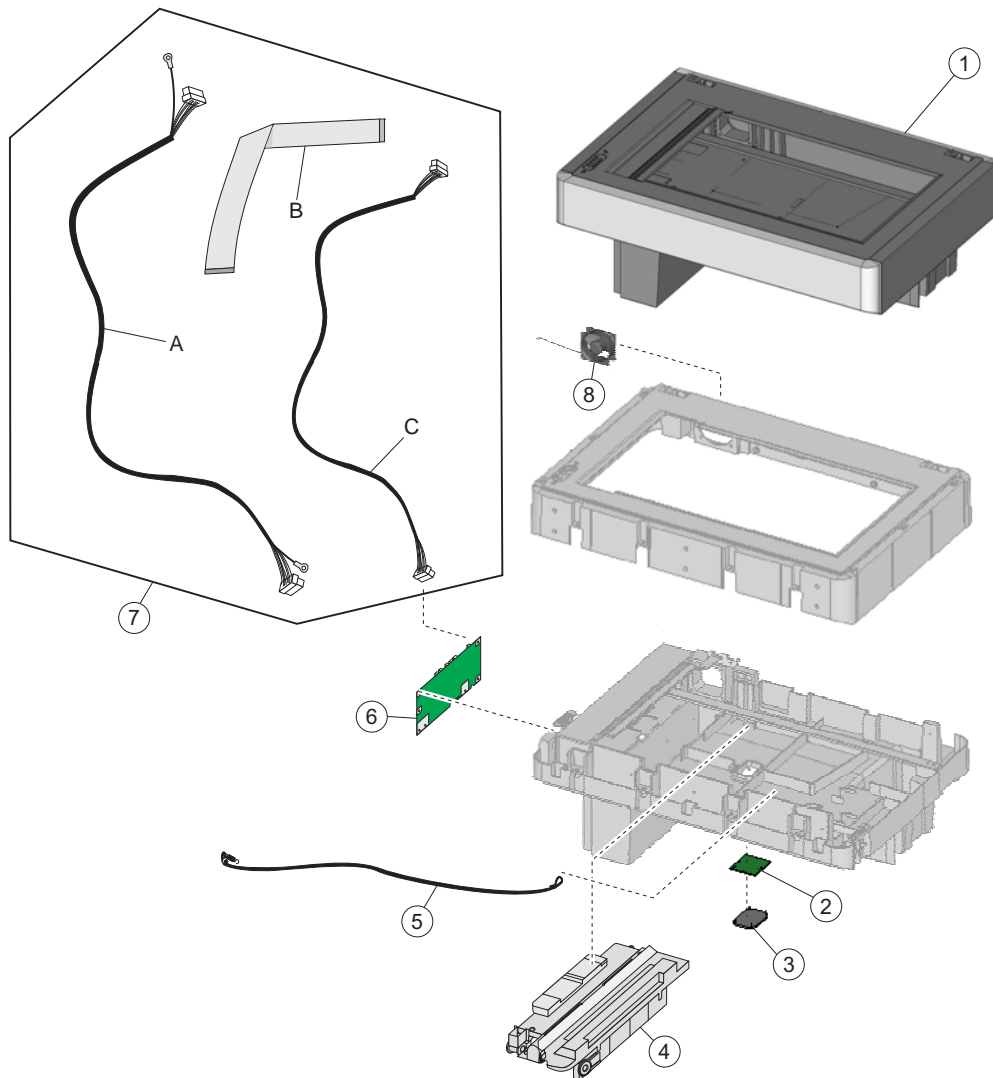


Next



Go Back

Assembly 10: Flatbed scanner



Previous



Next



Go Back

Assembly 10: Flatbed scanner

Index	P/N	Units/ mach	Units/ FRU	Description
10—1	40X7959	1	1	Flatbed scanner, complete
2	40X5215	1	1	Cave LED card
3	40X5216	1	1	Flatbed cave LED cover (clear)
4	40X7957	1	1	Flatbed CCD carrier module, including lamp assembly
5	40X5214	1	1	Carriage transport belt with clip
6	40X7975	1	1	Scanner MDC card
7	40X5199	1	1	Flatbed cooling fan
8	40X5217	1	1	Parts packet, cables) A—ADF cable B—Scanner to system board flat cable C—Scanner to system board cable Note: Additional cables listed in assembly 8 (5 total).

Previous

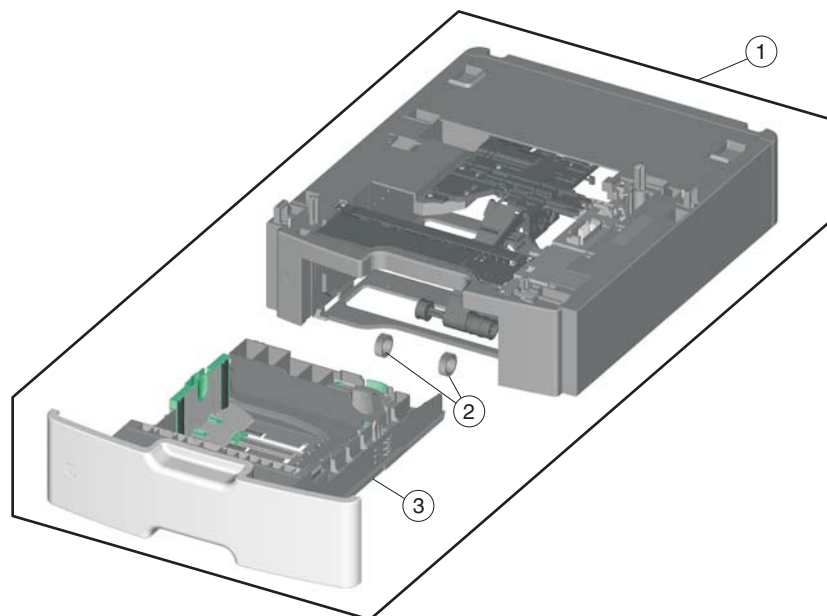


Next



Go Back

Assembly 11: Optional 550-sheet media drawer and tray



Previous



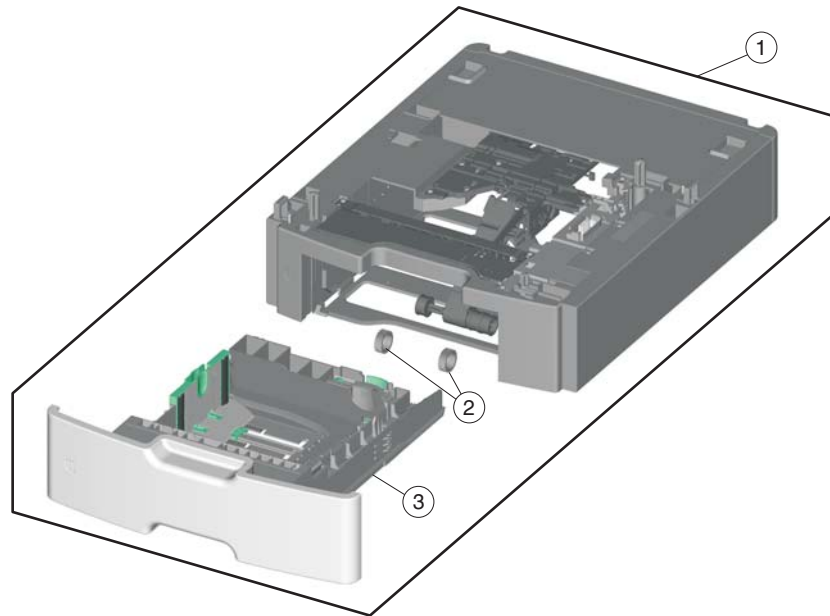
Next



Go Back

Index	P/N	Units/ opt	Units/ FRU	Description
11—1	40X5140	1	1	550-sheet tray option (drawer and tray assembly)
2	40X5168	2	2	Pick tire (550-sheet tray)
3	40X5141	1	1	550-sheet tray assembly

Assembly 12: Optional special media tray assembly



Previous



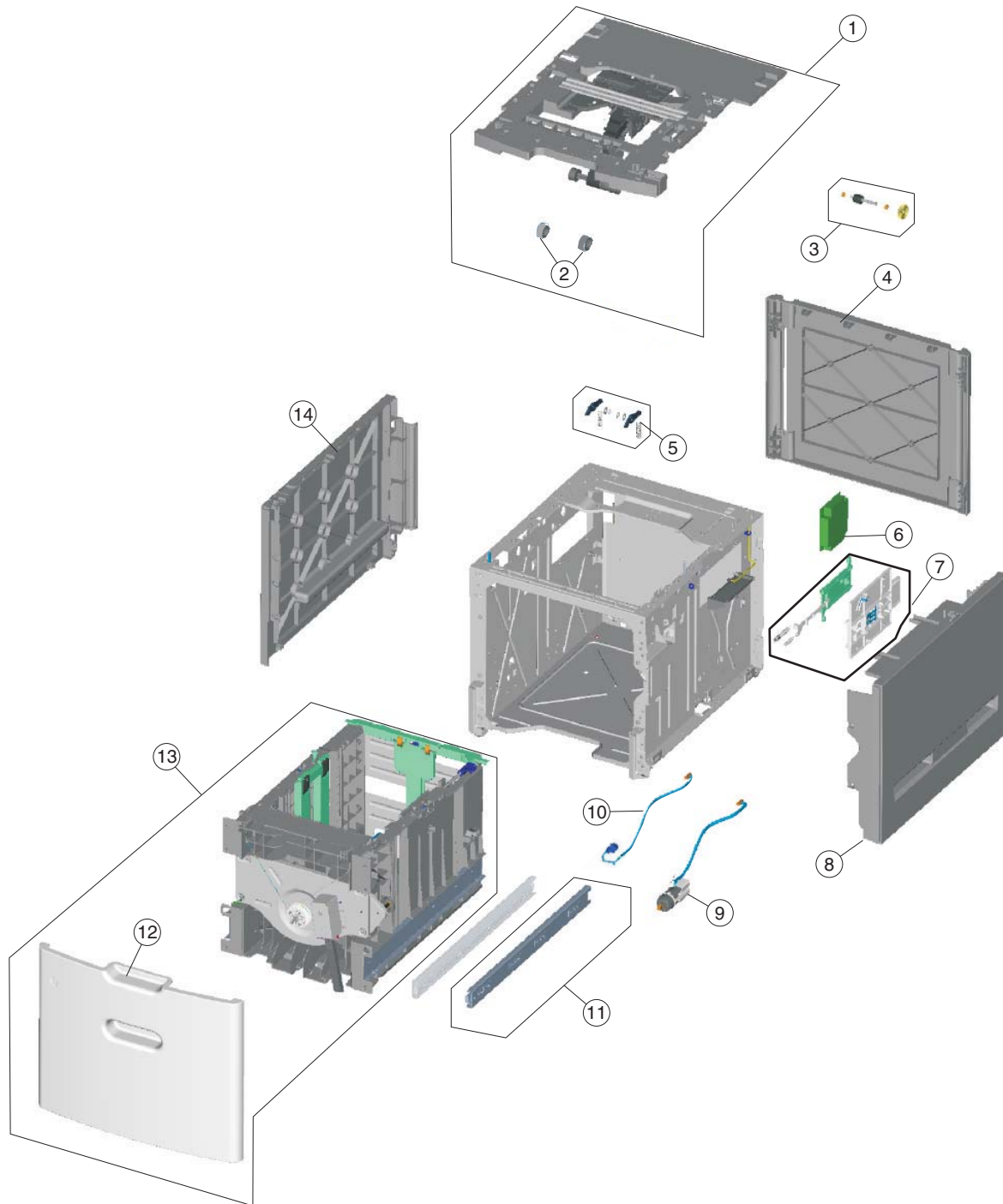
Next



Go Back

Index	P/N	Units/ opt.	Units/ FRU	Description
12—1	40X5142	1	1	Special media assembly, including tray
2	40X5152	2	2	Pick tire (550-sheet drawer)
3	40X5143	1	1	Special media tray assembly

Assembly 13: Optional high-capacity input option (HCIT)



Previous



Next



Go Back

Assembly 13: Optional high-capacity input option (HCIT)

Index	P/N	Units/ option	Units/ FRU	Description
13—1	40X5157	1	1	Top plate assembly
2	40X5168	2	2	HCIT pick tire
3	40X5156	1	1	Feed with bushing
4	40X5149	1	1	HCIT rear cover
5	40X4585	2	1	Tray latch with spring
6	40X5159	1	1	HCIT controller card assembly
7	40X4587	1	1	Slide assembly with springs
8	40X5147	1	1	HCIT right cover
9	40X5155	1	1	Elevator motor with sensor
10	40X5158	1	1	Photointerrupter sensor with cable assembly
11	40X4593	2	1	HCIT drawer slide assembly
12	40X5146	1	1	HCIT front tray cover
13	40X5144	1	1	HCIT paper drawer tray assembly
14	40X5148	1	1	HCIT left cover

Previous



Next



Go Back

Assembly 14: Options and features

Index	P/N	Units/ mach	Units/ FRU	Description
NS	40X5317	1	1	Parts packet, ISP thumbscrew and standoff
NS	40X5315	1	1	Wireless ISP thumbscrew
NS	40X7855	1	1	Fax modem card
NS	40X5185	1	1	Parts packet, scanner screws (contains screws used in the scanner, with the exception of parts specifically called out). See “Screw and retainer identification table” on page 4-4.
NS	40X5136	1	1	Parts packet, screws (contains screws used in the printer, with the exception of the parts specifically called out.). See “Screw and retainer identification table” on page 4-4.
NS	40X5301	1	1	256 MB SDRAM
NS	40X5302	1	1	512 MB SDRAM
NS	40X5303	1	1	1024 MB SDRAM
NS	40X5704	1	1	256 MB flash card
NS	40X5969	1	1	Korean font card
NS	40X5971	1	1	Traditional Chinese font card
NS	40X5970	1	1	Simplified Chinese font card
NS	40X5972	1	1	Japanese font card
NS	40X8323	1	1	Bar code and Forms card
NS	40X7051	1	1	Lexmark PrintCryption™ card
NS	40X8329	1	1	Prescribe card
NS	40X8326	1	1	IPDS SCS TNE card
NS	40X4826	1	1	MarkNet™ N8120 10/1000
NS	40X4827	1	1	MarkNet N8130 10/100 fiber
NS	40X4823	1	1	Parallel 1284-B interface card adapter
NS	40X4819	1	1	Serial interface card adapter
NS	40X7058	1	1	160 GB hard drive assembly
NS	40X1368	1	1	2-meter USB cable
NS	40X1367	1	1	10 ft. parallel cable (ROHS)
NS	40X1592	1	1	Print server 4-port USB
NS	40X1593	1	1	Print server 1-port USB
NS	40X1594	1	1	Print server parallel
NS	40X8333	1	1	X74x Relocation kit
NS	7377200	1	1	Option drawer relocation kit
NS	40X5281	1	1	High-capacity input tray (HCIT) relocation kit
NS	40X5316	1	1	14-pin JST cable assembly for ISP interface cable
NS	40X7062	1	1	Wireless US 802.11b/g/n ISP adapter
NS	40X7063	1	1	Wireless EU 802.11b/g/n ISP adapter
NS	40X8359	1	1	Caster front wheel
NS	40X8478	1	1	Caster basel

Previous



Next



Go Back

Index

Numerics

- 1xx service error codes [2-20–2-22](#)
- 24 V interlock switch
 - parts catalog [7-6](#)
 - removal [4-50](#)
 - theory [3-92](#)
- 2xx paper jam codes [2-22–2-36](#)
- 3x–8x attendance messages [2-11–2-19](#)
- 5 V interlock switch
 - cable removal [4-48](#)
 - parts catalog [7-6](#)
 - theory [3-91](#)
- 8xx scanner errors [2-37–2-39](#)
- 9xx service error codes [2-39–2-45](#)

A

- acronyms [1-16](#)
- ADF
 - ADF exit sensor [4-234](#)
 - ADF front side cover, removal [4-210](#)
 - ADF handle cover [4-211](#)
 - ADF motor side cover [4-212](#)
 - ADF removal [4-228](#)
 - ADF upper case cover [4-215](#)
 - case assembly [4-230](#)
 - cleaning [6-3](#)
 - closed cover flag [4-233](#)
 - ESD brush [4-248](#)
 - front cover, removal [4-208](#)
 - hinge removal [4-235](#)
 - motor gear train [4-237](#)
 - paper stop [4-241](#)
 - parts catalog [7-16](#)
 - pick pad [4-241](#)
 - pick pad spring [4-242](#)
 - pick roller assembly [4-242](#)
 - pressure plate cover [4-244](#)
 - separator pad [4-246](#)
 - skew sensor card [4-232](#)
 - spare supplies [6-5](#)
 - specifications [1-4](#)
- adjustments [4-10](#)
- alignment
 - diagnostics menu [3-8](#)
 - printhead [4-10](#)
- Auto Align Adj [3-38](#)
- Auto Color Adj [3-38](#)
- autocompensator
 - See paper pick mechanism

B

- bellcrank
 - left bellcrank [4-114](#)
 - parts catalog [7-5](#)
 - right bellcrank [4-156](#)

- bezel
 - parts catalog [7-2](#)
 - removal [4-30](#)
- bin full sensor assembly, removal [4-52](#)
- Black Only Mode [3-31](#)
- black only retract (BOR), see color on demand assembly
- blower fan, see cartridge cooling fan
- Button Test [3-13](#)
- buttons
 - description [2-2](#)
 - removals [4-31](#)
- buttons, operator panel [4-31](#)

C

- cables
 - cartridge motor 1/fuser [4-54](#)
 - cartridge motor 2/3 cable [4-57](#)
 - fuser AC [4-105](#)
 - fuser DC [4-107](#)
 - HVPS cable [4-112](#)
 - motor driver cable [4-117](#)
 - MP feeder/duplex motor [4-125](#)
 - option cable [4-128](#)
 - transport cable [4-182](#)
 - transport motor cable [4-185](#)
 - USB connector [4-189](#)
- cables, parts catalog [7-13](#)
- cam
 - service check [2-60](#)
- camshaft, top cover [4-175](#)
- cartridge cooling fan [4-53](#)
 - parts catalog [7-12](#)
 - service check [2-132](#)
- cartridge motor 1/fuser cable [4-54](#)
- cartridge motor 2/3 cable, removal [4-57](#)
- cleaning
 - ADF [6-3](#)
 - printhead lenses [6-5](#)
 - scanner glass [6-2](#)
- Color Alignment [3-39](#)
- Color Lock Out [3-31](#)
- Color On Demand (COD) assembly
 - parts catalog [7-12](#)
 - removal [4-58](#)
 - service check [2-61](#)
- Color Trapping [3-32](#)
- configuration ID [3-22](#)
- configuration menu
 - accessing [3-1](#)
 - Auto Align Adj [3-38](#)
 - Auto Color Adj [3-38](#)
 - available tests [3-29](#)
 - Color Alignment [3-39](#)
 - Color Lock Out [3-31](#)
 - Color Trapping [3-32](#)

Previous



Next



Go Back

- Disk Encryption [3-41](#)
- Download Emuls [3-33](#)
- Energy Conserve [3-34](#)
- Enforce Color Order [3-39](#)
- Env Prompts [3-40](#)
- Event Log [3-32](#)
- exit Config Menu [3-47](#)
- Factory Defaults [3-33](#)
- Fax Storage Location [3-36](#)
- Font Sharpening [3-43](#)
- Format Fax Storage [3-35](#)
- Jobs on Disk [3-41](#)
- Min Copy Memory [3-34](#)
- Motor Calibration [3-40](#)
- Numpad Job Assist [3-34](#)
- Panel Menus [3-33](#)
- Paper Prompts [3-40](#)
- PPDS Emulation [3-33](#)
- Prt Quality Pages [3-31](#)
- Reset Fuser Cnt [3-30](#)
- Size Sensing [3-32](#)
- USB Scan to Local [3-30](#)
- contact springs
 - parts catalog [7-10](#)
 - removal [4-63](#)
- control panel, see operator panel
- cooling fan
 - parts catalog [7-2](#), [7-12](#)
 - removal [4-73](#)
- cooling fan filter
 - parts catalog [7-2](#)
 - removal [4-74](#)
- covers
 - multifunction printer [4-21](#)
 - parts catalog [7-2](#)
 - scanner [7-14](#)
 - scanner flatbed and ADF [4-208](#)

D

- dead printer service check [2-146](#)
- defaults [3-21](#)
 - EP Defaults [3-23](#)
 - factory defaults [3-33](#)
- diagnostics menu
 - accessing [3-1](#)
 - ALIGNMENT [3-8](#)
 - available tests [3-2](#)
 - Device Tests
 - Disk Test/Clean [3-20](#)
 - Flash Test [3-21](#)
 - Quick Disk Test [3-20](#)
 - Duplex Tests
 - Print Test (duplex) [3-16](#)
 - Quick Test [3-15](#)
 - Top Margin [3-17](#)
 - Event Log
 - Clear Log [3-26](#)
 - Display Log [3-25](#)
 - Print Log [3-25](#)
 - exit diagnostics [3-28](#)

- Hardware Tests
 - Button Test [3-13](#)
 - DRAM Test [3-13](#)
 - Panel Test [3-12](#)
- Motor Tests
 - Align Motor Test [3-8](#)
 - Mirror Motor Test [3-19](#)
 - Motor Calibration [3-23](#)
 - Servo Laser Test [3-19](#)
- Print Tests
 - input source tests [3-11](#)
 - Prt Quality Pgs [3-12](#)
- Printer Setup
 - Configuration ID [3-22](#)
 - DC Charge Adjust [3-24](#)
 - Defaults [3-21](#)
 - Dev Bias Adj [3-24](#)
 - Engine Setting 1–4 [3-22](#)
 - EP Defaults [3-23](#)
 - Fuser Temp [3-24](#)
 - Model Name [3-22](#)
 - Page Counts [3-21](#)
 - Reset Calibration [3-23](#)
 - Serial Number [3-22](#)
 - Transfer Adjust [3-24](#)
- Registration [3-5](#)
 - Bottom Margin [3-6](#)
 - Left Margin [3-6](#)
 - Quick Test [3-7](#)
 - Right Margin [3-6](#)
 - Skew [3-5](#)
 - Top Margin [3-6](#)
- Scanner Tests
 - ASIC Test [3-26](#)
 - Feed Test [3-26](#)
 - Sensor Test [3-27](#)
- Sensor Tests [3-18](#)
- Disk Encryption [3-41](#)
- DRAM Test [3-13](#)

- duplex
 - duplex reference edge guide assembly [4-75](#)
 - gear and housing removal [4-119](#)
 - motor assembly removal [4-121](#)
 - motor cable removal [4-125](#)
 - multipurpose feeder/duplex motor assembly [4-121](#)
 - Print Test [3-16](#)
 - Quick Test [3-15](#)
 - service check [2-57](#)
 - theory [3-79](#)
 - Top Margin [3-17](#)
- duplex motor cable, removal [4-125](#)
- duplex reference edge guide [4-75](#), [7-4](#)

E

- E-clip identification [4-4](#)
- electrical interlock [3-91](#)
 - 24 V interlock switch [3-92](#)
 - 5 V interlock switch [3-91](#)
- electrophotographic (EP) drive assembly
 - fuser retract link [4-84](#)

Previous



Next



Go Back

- parts catalog [7-6](#)
- removal [4-78](#)
- service check [2-53](#), [2-54](#)
- electrophotographic (EP) process [3-81](#)
 - charging [3-83](#)
 - cleaning [3-90](#)
 - developing [3-87](#)
 - exposing [3-86](#)
 - fusing [3-89](#)
 - main components [3-81](#)
 - transferring [3-88](#)
- Energy Conserve [3-34](#)
- Enforce Color Order [3-39](#)
- engine setting [3-22](#)
- Env Prompts [3-40](#)
- error codes and messages
 - 1xx service error codes [2-20–2-22](#)
 - 2xx paper jams [2-22–2-36](#)
 - 3x–8x attendance messages [2-11–2-19](#)
 - 9xx service error codes [2-39–2-45](#)
- ESD-sensitive parts [4-1](#)
- event log
 - configuration menu [3-32](#)
 - diagnostics mode [3-25](#)
- exit sensor
 - service check [2-116](#)

F

- Factory Defaults [3-33](#)
- fans
 - cartridge cooling [4-53](#)
 - cooling fan [4-73](#)
 - service check [2-131](#)
- fasteners [4-4](#)
- fax modem
 - parts catalog [7-24](#)
 - removal [4-91](#)
- filter
 - cooling fan filter [4-74](#)
 - flatbed air filter [4-249](#)
 - spare air filter [6-5](#)
- Flash Test [3-21](#)
- flatbed
 - carriage transport belt [4-247](#)
 - cleaning [6-2](#)
 - flatbed (entire) [4-255](#)
 - flatbed cave LED card and cover [4-217](#)
 - flatbed CCD carrier module [4-250](#)
 - flatbed cooling fan [4-254](#)
 - flatbed with glass cover [4-219](#)
 - lock [2-37](#), [4-133](#)
 - parts catalog [7-18](#)
 - scanner front cover [4-223](#)
 - scanner left cover [4-224](#)
 - scanner MDC card [4-261](#)
 - scanner rear cover [4-225](#)
 - scanner right cover [4-226](#)
 - specifications [1-4](#)
- Font Sharpening [3-43](#)
- front access cover assembly

- removals [4-21](#)
- front cover locks [3-49](#)
- front door assembly
 - left front cable removal [4-95](#)
 - parts catalog [7-4](#)
 - removal [4-92](#)
 - right front cable removal [4-100](#)
- fuser AC cable
 - removal [4-105](#)
- fuser assembly
 - parts catalog [7-4](#)
 - removal [4-104](#)
 - Reset Fuser Cnt [3-30](#)
 - service check [2-48](#), [2-51](#)
- fuser DC cable
 - removal [4-107](#)
- fuser retract link [4-84](#)

H

- hard drive assembly
 - parts catalog [7-24](#)
 - removal [4-108](#)
- high-capacity input tray (HCIT)
 - controller board assembly [4-271](#)
 - drawer slide assembly [4-272](#)
 - elevator motor with sensor [4-272](#)
 - feed with bushing roller [4-270](#)
 - front tray cover [4-266](#)
 - left cover [4-269](#)
 - media tray assembly [4-265](#)
 - photointerrupter sensor with cable assembly [4-277](#)
 - pick tires [4-274](#)
 - rear cover [4-267](#)
 - right cover [4-268](#)
 - slide assembly with spring [4-275](#)
 - top plate assembly [4-279](#)
- high-voltage power supply (HVPS)
 - cable removal [4-112](#)
 - parts catalog [7-10](#)
 - removal [4-110](#)

I

- input tray
 - parts catalog [7-14](#)
 - removal [4-222](#)

J

- jams
 - common messages (diagram) [3-57](#)
 - paper jam messages [2-22](#)
 - paper path [3-69](#)
- Jobs on Disk [3-41](#)

L

- links, top access cover [4-168](#)
- lithium battery [iv-xvii](#), [4-157](#)
- lock
 - flatbed lock [2-37](#), [4-133](#)
 - front cover locked [3-49](#)
 - front cover locks [3-49](#)

Previous



Next



Go Back

- low-voltage power supply (LVPS)
 - parts catalog [7-6](#)
 - removal [4-115](#)
 - service check [2-128](#)
- lubrication specifications [6-1](#)

M

- maintenance, scheduled [6-2](#)
- mechanical drive
 - bump aligner drive [3-76](#)
 - duplex drive [3-79](#)
 - fuser drive [3-78](#)
 - paper pick mechanism drive [3-75](#)
 - photoconductor unit/toner cartridge drive [3-77](#)
 - transfer belt drive [3-78](#)
- media
 - error jam locations [3-57](#)
 - input and output capacities [1-11](#)
 - input and output sizes and types [1-12](#)
 - paper path [5-1](#)
 - specifications [1-9](#)
- media guidelines [1-14](#)
- menus
 - configuration menu [3-29](#)
 - diagnostics menu [3-2](#)
 - user menus [2-7](#)
- Mirror Motor Test [3-19](#)
- Model Name [3-22](#)
- models [1-1](#)
- Motor Calibration [3-40](#)
- Motor Calibration Test [3-23](#)
- motor driver
 - cable removal [4-117](#)
 - card removal [4-118](#)
- MPF paper present sensor
 - service check [2-131](#)
- multipurpose feeder (MPF)
 - gear and housing removal [4-119](#)
 - motor assembly removal [4-121](#)
 - motor cable removal [4-125](#)
 - motor parts catalog [7-6](#)

O

- operator panel
 - bezel [4-30](#)
 - buttons [4-31](#)
 - description [2-2](#)
 - identification [2-2](#)
 - indicator light [2-2](#)
 - parts catalog [7-2](#)
 - removal [4-27](#)
 - service check [2-148](#)
 - black display, stripes display, and distorted display [2-149](#)
 - display blank, 5 beeps, LED off [2-148](#)
 - display blank, 5 beeps, LED on [2-149](#)
 - one or more buttons fail [2-148](#)
 - speaker [4-33](#)
- option cable, removal [4-128](#)
- options and features

- description [1-1](#)
- parts catalog [7-24](#)

P

- Panel Menus [3-33](#)
- Panel Test [3-12](#)
- paper
 - See media
- paper jams, error locations [3-57](#)
- paper path
 - diagram [3-69](#), [5-1](#)
 - main components [3-70](#)
 - mechanical drive [3-75](#)
 - paper sensing [3-79](#)
 - print media transport [3-71](#)
- paper pick mechanism
 - parts catalog [7-4](#)
 - removal [4-130](#)
 - service check [2-51](#), [2-59](#)
- Paper Prompts [3-40](#)
- paper sensing
 - paper exit/duplex entry sensor and bin full flag [3-80](#)
 - paper pick sensor [3-79](#)
- paper support (output bin extension cover) [4-35](#)
- paper tray
 - parts catalog [7-4](#)
- parts catalog
 - automatic document feeder (ADF) [7-16](#)
 - cable parts packet [7-13](#)
 - covers—printer [7-2](#)
 - covers—scanner [7-14](#)
 - flatbed scanner [7-18](#)
 - front [7-4](#)
 - left [7-10](#)
 - optional 550-sheet media drawer and tray [7-20](#)
 - optional high-capacity input option (HCIT) [7-22](#)
 - optional special media tray assembly [7-21](#)
 - rear [7-8](#)
 - right [7-6](#)
 - top [7-12](#)
- Perm Page Count [3-21](#)
- photoconductor unit [4-3](#)
 - handling [4-3](#)
 - installation [4-137](#)
 - parts not to be touched [4-3](#)
 - removal [4-137](#)
 - transportation/storage [4-3](#)
- Pick tires, replacement [4-138](#)
- power cords [7-9](#)
- power-on self test (POST)
 - service check [2-113](#), [2-114](#), [2-115](#), [2-118](#), [2-119](#), [2-120](#), [2-121](#), [2-122](#), [2-123](#), [2-124](#), [2-125](#), [2-126](#), [2-128](#), [2-129](#)
- power-on self test (POST) sequence [2-8](#)
- PPDS Emulation [3-33](#)
- print quality
 - background [2-152](#)
 - blank page [2-153](#)
 - blurred or fuzzy print [2-154](#)
 - half-color page [2-154](#)



- horizontal banding [2-154](#)
 - horizontal line [2-154](#)
 - insufficient fusing [2-155](#)
 - missing image at edge [2-155](#)
 - mottle (2–5mm speckles) [2-155](#)
 - narrow vertical line [2-155](#)
 - random marks [2-155](#)
 - residual image [2-155](#)
 - solid color page [2-156](#)
 - vertical banding [2-157](#)
 - printer pads
 - parts catalog [7-4](#)
 - removal [4-139](#)
 - printhead
 - clean lenses [6-5](#)
 - parts catalog [7-8](#)
 - removal [4-140](#)
 - service check [2-47](#)
 - verification [3-52](#)
 - printhead alignment [4-10](#)
 - printhead verification [3-52](#)
 - Prt Color Pg Count [3-21](#)
 - Prt Mono Pg Count [3-21](#)
 - Prt Quality Pgs
 - configuration menu [3-31](#)
 - diagnostic menu [3-12](#)
- Q**
- Quick Disk Test [3-20](#)
 - Quick Test (duplex) [3-15](#)
- R**
- removal and cleaning precautions [4-1](#)
 - removals
 - 24 V interlock switch [4-50](#)
 - 5 V interlock switch cable [4-48](#)
 - ADF (entire) [4-228](#)
 - ADF case assembly [4-230](#)
 - ADF closed cover flag [4-233](#)
 - ADF exit sensor [4-234](#)
 - ADF front cover [4-208](#)
 - ADF front side cover [4-210](#)
 - ADF handle cover [4-211](#)
 - ADF hinge [4-235](#)
 - ADF motor gear train [4-237](#)
 - ADF motor side cover [4-212](#)
 - ADF paper stop [4-241](#)
 - ADF pick pad [4-241](#)
 - ADF pick pad spring [4-242](#)
 - ADF pick roller assembly [4-242](#)
 - ADF pressure plate cover [4-244](#)
 - ADF separator pad [4-246](#)
 - ADF skew sensor card [4-232](#)
 - ADF upper case cover [4-215](#)
 - bin full sensor assembly [4-52](#)
 - carriage transport belt with clip [4-247](#)
 - cartridge cooling fan [4-53](#)
 - cartridge motor 1/fuser cable [4-54](#)
 - cartridge motor 2/3 cable [4-57](#)
 - color on demand assembly [4-58](#)
 - contact springs [4-63](#)
 - cooling fan [4-73](#)
 - cooling fan filter [4-74](#)
 - covers, printer
 - front access cover assembly [4-21](#)
 - left cover [4-24](#)
 - left door cover [4-26](#)
 - operator panel assembly [4-27](#)
 - operator panel bezel [4-30](#)
 - operator panel buttons [4-31](#)
 - operator panel speaker [4-33](#)
 - output bin extension cover [4-35](#)
 - rear cover [4-36](#)
 - rear frame cover [4-37](#)
 - right cover [4-38](#)
 - top access cover assembly [4-40](#)
 - top cover assembly [4-44](#)
 - covers, scanner and ADF
 - ADF front cover [4-208](#)
 - ADF front side cover [4-210](#)
 - ADF handle cover [4-211](#)
 - ADF motor side cover [4-212](#)
 - ADF upper case cover [4-215](#)
 - flatbed cave LED card cover [4-217](#)
 - flatbed with glass cover [4-219](#)
 - input tray [4-222](#)
 - scanner front cover [4-223](#)
 - scanner left cover [4-224](#)
 - scanner rear cover [4-225](#)
 - scanner right cover [4-226](#)
 - duplex reference edge guide [4-75](#)
 - electrophotographic (EP) process drive assembly [4-78](#)
 - ESD brush [4-248](#)
 - fax modem [4-91](#)
 - flatbed air filter [4-249](#)
 - flatbed cave LED card [4-217](#)
 - flatbed cave LED cover [4-217](#)
 - flatbed CCD carrier module [4-250](#)
 - flatbed cooling fan [4-254](#)
 - flatbed scanner [4-255](#)
 - flatbed with glass cover [4-219](#)
 - front door assembly [4-92](#)
 - front door assembly cable (left) [4-95](#)
 - front door assembly cable (right) [4-100](#)
 - fuser AC cable [4-105](#)
 - fuser assembly [4-104](#)
 - fuser DC cable [4-107](#)
 - hard drive assembly [4-108](#)
 - high-voltage power supply (HVPS) [4-110](#)
 - high-voltage power supply cable [4-112](#)
 - input tray [4-222](#)
 - left bellcrank [4-114](#)
 - low voltage power supply (LVPS) [4-115](#)
 - motor driver cable [4-117](#)
 - motor driver card [4-118](#)
 - multipurpose feeder (MPF)
 - motor cable [4-125](#)
 - multipurpose feeder/duplex gear and housing [4-119](#)
 - multipurpose feeder/duplex motor assembly [4-121](#)



- operator panel bezel [4-30](#)
 - operator panel buttons [4-31](#)
 - operator panel speaker [4-33](#)
 - option cable [4-128](#)
 - options
 - HCIT controller board assembly [4-271](#)
 - HCIT drawer slide assembly [4-272](#)
 - HCIT elevator motor with sensor [4-272](#)
 - HCIT feed with bushing roller [4-270](#)
 - HCIT front tray cover [4-266](#)
 - HCIT left cover [4-269](#)
 - HCIT media tray assembly [4-265](#)
 - HCIT photointerrupter sensor with cable assembly [4-277](#)
 - HCIT pick tires [4-274](#)
 - HCIT rear cover [4-267](#)
 - HCIT right cover [4-268](#)
 - HCIT slide assembly with spring [4-275](#)
 - HCIT top plate assembly [4-279](#)
 - paper pick mechanism assembly [4-130](#)
 - paper present LED card [4-257](#)
 - photoconductor unit [4-137](#)
 - pick roll rubber tires [4-138](#)
 - precautions [4-20](#)
 - printer pad [4-139](#)
 - printhead [4-140](#)
 - right bellcrank [4-156](#)
 - scanner front cover [4-223](#)
 - scanner ICC cable [4-260](#)
 - scanner ICC card [4-258](#)
 - scanner left cover [4-224](#)
 - scanner MDC card [4-261](#)
 - scanner rear cover [4-225](#)
 - scanner right cover [4-226](#)
 - system board [4-157](#)
 - system board support shield [4-163](#)
 - toner level sensor [4-166](#)
 - top access cover links [4-168](#)
 - top access cover sensor [4-169](#)
 - top access cover springs [4-171](#)
 - top cover camshaft assembly [4-175](#)
 - transfer belt [4-180](#)
 - transport cable [4-182](#)
 - transport motor cable [4-185](#)
 - UICC cable [4-188](#)
 - UICC card [4-186](#)
 - USB connector cable [4-189](#)
 - waste toner assembly [4-191](#)
 - wireless network antenna [4-205](#)
 - wireless network card [4-206](#)
- Reset Calibration [3-23](#)
- Reset Fuser Cnt [3-30](#)
- ## S
- safety information [iv-xvii](#)
 - safety inspection guide [6-1](#)
 - scanner
 - cleaning [6-2](#)
 - diagnostics tests [3-26](#)
 - lock [2-37, 4-133](#)
 - scanner specifications [1-4](#)
 - screw and retainer identification table [4-4](#)
 - sensors
 - ADF exit sensor [4-234](#)
 - bin full [4-52](#)
 - diagnostic tests [3-18](#)
 - exit sensor service check [2-116](#)
 - input sensor service check [2-114](#)
 - paper present LED card [4-257](#)
 - theory [3-79](#)
 - toner level [4-166, 7-10](#)
 - top access cover [4-169](#)
 - separator pad
 - removal [4-246](#)
 - spare [6-5](#)
 - serial number
 - viewing [3-22](#)
 - service checks
 - 110.xx—Mirror motor [2-47](#)
 - 111.xx–114.xx—printhead error [2-47](#)
 - 120.xx—fuser error [2-48](#)
 - 140.xx—Autocomp motor error [2-51](#)
 - 142.xx,—motor error [2-51](#)
 - 142.xx—fuser motor error [2-51](#)
 - 143.xx—motor error [2-53](#)
 - 144.xx—motor error [2-54](#)
 - 145.xx, 906.05–906.08—motor error [2-59](#)
 - 146.xx—motor error [2-57](#)
 - 155.xx—motor error [2-60](#)
 - 156.xx—motor error [2-61, 2-62](#)
 - 31.xx—Cartiridge errors [2-66](#)
 - 900.xx System software [2-108](#)
 - 906.01–906.04—motor error [2-51](#)
 - 920.03—POST error [2-112](#)
 - 920.04—POST error [2-113](#)
 - 920.05—POST error [2-114](#)
 - 920.07—POST error [2-115](#)
 - 920.09–920.12—POST error [2-118, 2-119, 2-120, 2-121](#)
 - 920.13—POST error [2-122](#)
 - 920.14—POST error [2-123](#)
 - 920.15—POST error [2-124](#)
 - 920.16—POST error [2-124](#)
 - 920.17—POST error [2-125](#)
 - 920.18—POST error [2-126](#)
 - 920.19—POST error [2-126](#)
 - 920.21—POST error [2-128](#)
 - 920.23—POST error [2-129](#)
 - 920.32—MPF paper present sensor not connected [2-131](#)
 - 925.01, 925.03, 925.05—fan error [2-131](#)
 - 925.02, 925.04, 925.06—blower error [2-132](#)
 - 945.xx, 947.xx—Transfer roll error [2-133](#)
 - dead printer [2-146](#)
 - exit sensor [2-116](#)
 - input sensor [2-114](#)
 - networking [2-147](#)
 - operator panel [2-148](#)
 - print quality [2-151](#)



- service error
 - 900.xx System software error **2-108**
- service error codes **2-20**
- Servo Laser Test **3-19**
- Size Sensing **3-32**
- skew **3-5, 4-10**
- speaker
 - removals **4-33**
- speaker, operator panel **4-33**
- specifications
 - acoustic **1-7**
 - clearances **1-3**
 - data streams **1-5**
 - dimensions **1-2**
 - electrical and power **1-6**
 - environment **1-5**
 - mechanical specifications **1-4**
 - media **1-9**
 - memory **1-4**
 - resolution **1-5**
- start **2-1**
- supplies, ADF supply space **6-5**
- symptoms
 - multiple function printer (MFP) **2-8**
 - print quality **2-9**
- system board
 - parts catalog **7-8**
 - removal **4-157**
- system board support shield
 - parts catalog **7-8**
 - removal **4-163**

T

- test pages
 - print quality test pages **3-12, 3-31**
 - Quick Test **3-7**
 - quick test (duplex) **3-15**
- theory
 - electrical interlock
 - 24 V interlock switch **3-92**
 - 5 V interlock switch **3-91**
 - electrophotographic (EP) process
 - charging **3-83**
 - cleaning **3-90**
 - developing **3-87**
 - exposing **3-86**
 - fusing **3-89**
 - main components **3-81**
 - transferring **3-88**
 - electrophotographic process (EP) **3-81**
 - paper path **3-69**
 - main components **3-70**
 - mechanical drive **3-75**
 - paper sensing **3-79**
 - print media transport **3-71**
- toner level sensor
 - parts catalog **7-10**
 - removal **4-166**
- Toner Patch Sensing (TPS) **3-38**
- tools required **1-16**

- top access cover
 - parts catalog **7-2**
 - removal **4-40**
 - sensor **4-169**
 - springs **4-171**
 - won't open **4-171**
- top access cover links, removal **4-168**
- top cover
 - parts catalog **7-2**
 - removal **4-44**
- top cover camshaft assembly
 - parts catalog **7-12**
 - removal **4-175**
- transfer contact assembly, parts catalog **7-10**
- transfer module
 - parts catalog **7-4**
 - removal **4-180**
 - service check **2-133**
- transport cable, removal **4-182**
- transport motor cable, removal **4-185**
- tray 1 missing
 - service check **2-157**

U

- UICC card
 - parts catalog **7-2**
 - removal **4-186**
- USB connector cable
 - removal **4-189**

V

- voltage switch, LVPS **4-116**

W

- waste toner assembly, removal **4-191**
- wireless network antenna
 - parts catalog **7-24**
 - removal **4-205**
- wireless network card
 - parts catalog **7-24**
 - removal **4-206**

Previous



Next



Go Back

Previous



Next



Go Back

Part number index

P/N	Description	Page
40X0269	Power cord—USA, Canada, Bolivia, Peru	7-9
40X0271	Power cord (8 ft.)—Hong Kong, Ireland, United Kingdom	7-9
40X0273	Power cord (8 ft.)—Chile, Uruguay	7-9
40X0275	Power cord (8 ft.)—Israel	7-9
40X0288	Power cord (8 ft.)—Argentina	7-9
40X0301	Power cord (8 ft.)—Australia, New Zealand	7-9
40X0303	Power cord (8 ft.)—China	7-9
40X1367	10 ft. parallel cable	7-24
40X1368	2-meter USB cable	7-24
40X1416	Toner level sensor	7-11
40X1446	Right bellcrank assembly, with spring	7-5
40X1447	Left bellcrank assembly, with spring	7-5
40X1592	Print server 4-port USB	7-24
40X1593	Print server 1-port USB	7-24
40X1594	Print server parallel	7-24
40X1772	Power cord (8 ft.)—Switzerland	7-9
40X1773	Power cord (8 ft.)—South Africa	7-9
40X1774	Power cord (8 ft.)—Denmark, Finland, Norway, Sweden	7-9
40X1791	Power cord (8 ft.)—Taiwan	7-9
40X1792	Power cord (8 ft.)—Korea	7-9
40X3141	Power cord (8 ft.)—Austria, Belgium, Catalan, Czechoslovakia, Finland, France, Germany, Greece, Hungary, Ireland, Italy, Netherlands, Norway, Paraguay, Poland, Portugal, Russia, Spain, Sweden, Turkey, United Kingdom	7-9
40X3609	Power cord (8 ft.)—Japan	7-9
40X4585	Tray latch with spring	7-23
40X4587	Slide assembly with springs	7-23
40X4593	HCIT drawer slide assembly	7-23
40X4596	Power cord (8 ft.)—Brazil	7-9
40X4819	Serial interface card adapter	7-24
40X4823	Parallel 1284-B interface card adapter	7-24
40X4826	MarkNet N8120 10/1000	7-24
40X4827	MarkNet N8130 10/100 fiber	7-24
40X5092	ADF pick pad	7-17
40X5107	System board support shield	7-9
40X5108	Cartridge cooling fan	7-12
40X5109	Cooling fan	7-12
40X5111	Parts packet, front door	7-5
40X5113	Duplex reference edge assembly	7-5
40X5121	Top access cover sensor	7-3
40X5122	Color on demand assembly	7-12
40X5123	Printhead assembly	7-9
40X5126	Motor driver card	7-7
40X5127	5 V interlock switch	7-7
40X5128	24 V interlock switch	7-7
40X5129	High-voltage power supply	7-11
40X5130	Top cover camshaft assembly	7-12
40X5132	Parts packet, MP feeder/duplex drive	7-5
40X5136	Parts packet, screws	7-5, 7-24
40X5137	Contact springs kit	7-11
40X5140	550-sheet tray option (drawer and tray assembly)	7-20
40X5141	550-sheet tray assembly	7-20
40X5142	Special media assembly, including tray	7-21
40X5143	Special media tray assembly	7-21
40X5144	HCIT tray assembly	7-23

Previous



Next



Go Back

40X5146	HCIT front tray cover	7-23
40X5147	HCIT right cover	7-23
40X5148	HCIT left cover	7-23
40X5149	HCIT rear cover	7-23
40X5152	Pick tire	7-5
40X5152	Pick tire (550-sheet drawer)	7-21
40X5155	Elevator motor with sensor	7-23
40X5156	Feed with bushing	7-23
40X5157	Top plate assembly	7-23
40X5158	Photointerrupter sensor with cable assembly	7-23
40X5159	HCIT controller card assembly	7-23
40X5163	Separator pad spring	7-17
40X5164	Output bin extension cover	7-3
40X5165	ADF static ground brush	7-17
40X5166	ADF exit sensor with cable	7-17
40X5168	Pick tire	7-20, 7-23
40X5172	Right cover	7-3
40X5173	Left cover	7-3
40X5174	Rear cover	7-3
40X5175	Top cover assembly	7-3
40X5180	Top access cover parts package	7-3
40X5184	Front access door cover assembly	7-3
40X5185	Parts packet, scanner screws	7-24
40X5187	ADF separator pad	7-17
40X5188	ADF pick roll assembly	7-17
40X5190	ADF, complete	7-17
40X5191	ADF cover open flag	7-17
40X5192	ADF document input tray	7-15
40X5193	ADF paper stop	7-15
40X5194	Pressure plate cover	7-15
40X5195	ADF front case assembly	7-17
40X5196	ADF front case cover	7-15
40X5197	ADF upper case cover	7-17
40X5198	Filter door cover	7-15
40X5199	Flatbed cooling fan	7-19
40X5201	ADF lid handle cover	7-15
40X5202	ADF upper motor side cover	7-15
40X5203	ADF upper front side cover	7-15
40X5204	Scanner left cover	7-15
40X5205	Scanner right cover	7-15
40X5206	Scanner front cover	7-15
40X5207	Scanner rear cover	7-15
40X5208	ADF motor gear train assembly	7-17
40X5209	ADF hinge (left or right)	7-17
40X5210	Paper present LED card	7-17
40X5211	Flatbed with glass cover	7-15
40X5214	Carriage transport belt with clip	7-19
40X5215	Cave LED card	7-19
40X5216	Flatbed cave LED cover (clear)	7-19
40X5217	Parts packet, Scanner cable parts	7-19
40X5218	Flatbed air filter	7-15
40X5220	Scanner ICC card	7-17
40X5221	Left door cover	7-3
40X5276	Top access door link springs	7-3
40X5281	High-capacity input tray (HCIT) relocation kit	7-24
40X5287	Cooling fan filter	7-3
40X5290	EP drive assembly	7-7
40X5291	ADF skew card	7-17
40X5301	256 MB SDRAM	7-24

Previous



Next



Go Back

40X5302	512 MB SDRAM	7-24
40X5303	1024 MB SDRAM	7-24
40X5307	Waste toner HV contact assembly	7-11
40X5315	Wireless ISP thumbscrew	7-24
40X5316	14-pin JST cable assembly for ISP interface cable	7-24
40X5317	Parts packet, ISP thumbscrew and standoff	7-24
40X5704	256 MB flash card	7-24
40X5969	Korean font card	7-24
40X5970	Simplified Chinese font card	7-24
40X5971	Traditional Chinese font card	7-24
40X5972	Japanese font card	7-24
40X5995	Front access door assembly	7-5
40X5997	System board	7-9
40X5998	MPF paper present sensor with cable	7-7
40X5999	Paper tray assembly, 550-sheet	7-5
40X6319	Cranklift spring and metal clip	7-5
40X6351	Motor drive cable	7-13
40X6496	MPF pick arm	7-5
40X7051	Lexmark PrintCryption card	7-24
40X7058	160 GB hard drive assembly	7-24
40X7062	Wireless US 802.11b/g/n ISP adapter	7-24
40X7063	Wireless EU 802.11b/g/n ISP adapter	7-24
40X7159	Auger shaft and gear parts pack	7-11
40X7662	Top access cover assembly	7-3
40X7703	Speaker	7-3
40X7709	Low-voltage power supply	7-7
40X7855	Fax modem card	7-24
40X7861	7 inch LCD touch screen	7-3
40X7955	UICC and interface card	7-3
40X7956	Parts packet (operator panel buttons)	7-3
40X7957	Flatbed CCD carrier module	7-19
40X7959	Flatbed scanner, complete	7-19
40X7960	Operator panel bezel, X746de	7-3
40X7961	Operator panel bezel, X748de	7-3
40X7973	Parts packet (cables)	7-13
40X7975	Scanner MDC card	7-19
40X8110	Fuser assembly, 115 V	7-5
40X8111	Fuser assembly, 230 V	7-5
40X8112	Fuser assembly, 100 V	7-5
40X8307	Transfer module	7-5
40X8308	Paper pick assembly	7-5
40X8309	MP feeder/duplex motor	7-7
40X8319	Rear frame cover	7-3
40X8323	Bar code and Forms card	7-24
40X8326	IPDS SCS TNE card	7-24
40X8329	Prescribe card	7-24
40X8333	Relocation kit	7-24
40X8359	Caster front wheel	7-24
40X8373	Toner cartridge contacts	7-11
40X8478	Caster base	7-24
7377200	Option drawer relocation kit	7-24

Previous



Next



Go Back

Previous



Next



Go Back